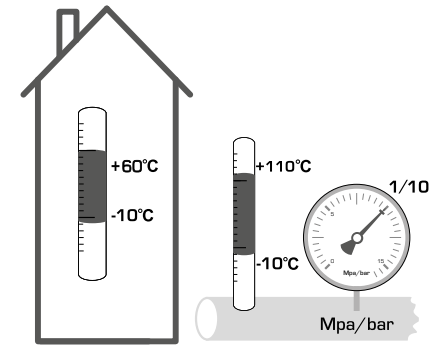


**SERIES VRH130**



Series VRH130

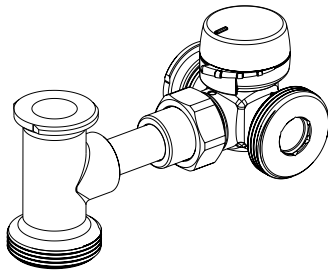
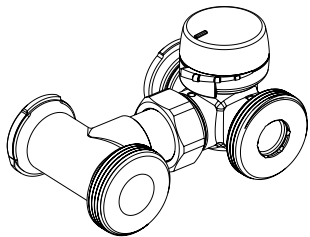
CE  
PED 2014/68/EU, article 4.3



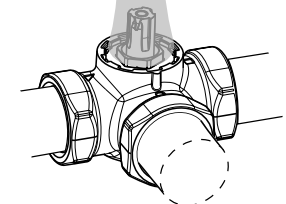
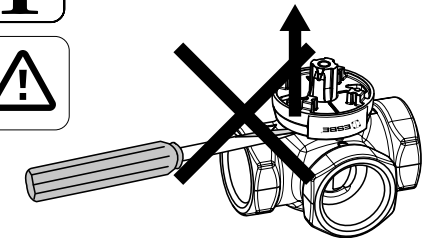
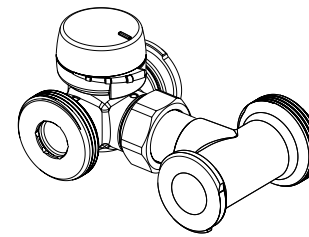
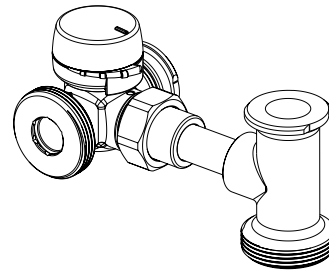
Mtrl.nr: 9814 08 48 • Ritn.nr: 7420 utg. B • Rev. 1605

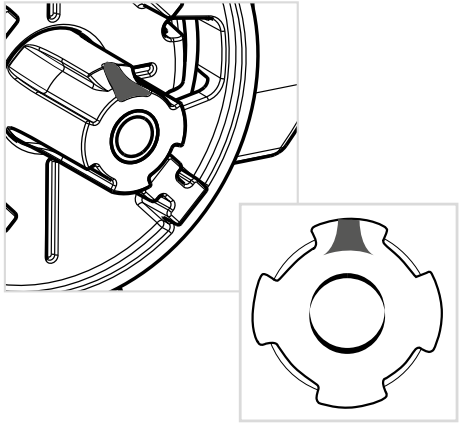
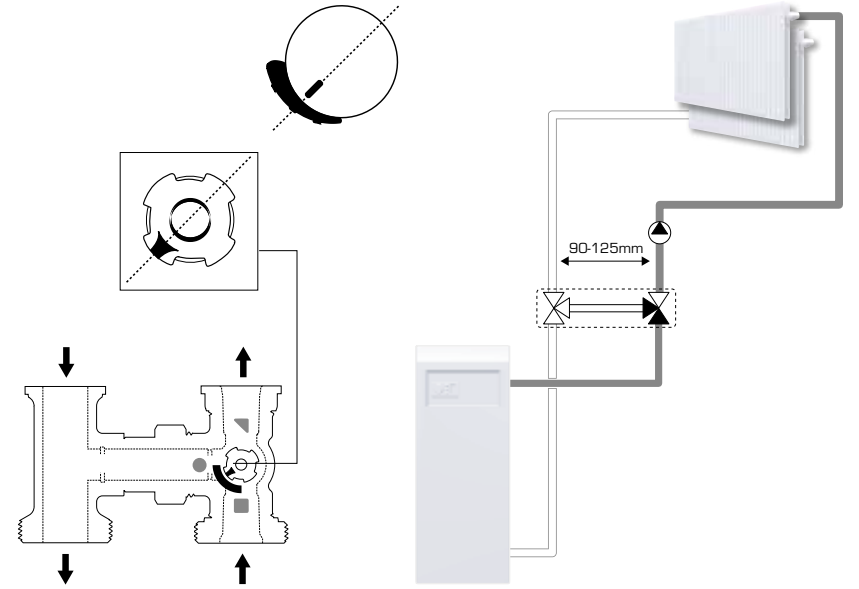
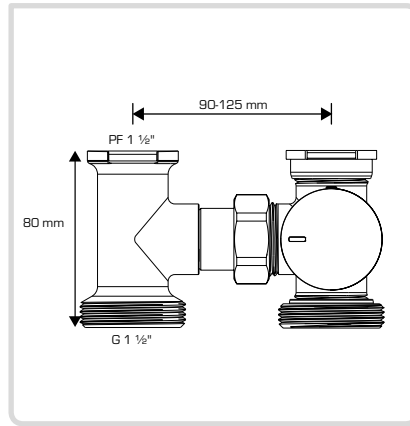
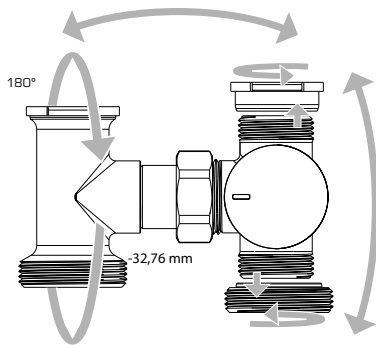
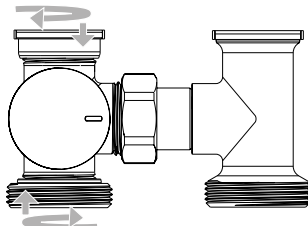


**A**



**B**



**i****A****B****1****2****B**